

**Modular Cooking Range Line
700XP Gas Solid Top on Gas
Oven**

ITEM # _____

MODEL # _____

NAME # _____

SIS # _____

AIA # _____



372217 (Z7STGH10GA)

Gas solid top (13 kW) on oven
(6 kW), full module - (AGA)

372218 (Z7STGL301A)

Gas solid top (24 kW) on oven
(6 kW) and open cupboard

Main Features

- All major compartments located in front of unit for ease of maintenance.
- Durable cast iron cooking plate, easy to clean.
- Central burner with optimized combustion, flame failure device and protected pilot light.
- Gas heated, 7 kW central burner, solid top.
- Oven thermostat adjustable from 110 °C to 270 °C.
- Pans can easily be moved from one area to another without lifting.
- Temperature gradients to satisfy different cooking needs, provided over the whole plate thanks to the temperature fine-tuning by zone.
- The center of the plate can reach a maximum temperature of 500 °C while decreasing outwards.
- Various sizes of pans can be used at the same time due to large surface area with no intermediate sectors.
- Base compartment consists of a gas heated standard oven with stainless steel burners and self stabilizing flame positioned beneath the base plate. Stainless steel oven chamber to have 3 levels of runners to accommodate 2/1 GN shelves (2 steam pans) and rib

Construction

- Model has right-angled side edges to allow flush fitting joints between units, eliminating gaps and possible dirt traps.
- One piece pressed 1.5 mm work top in Stainless steel.
- All exterior panels in Stainless Steel with Scotch Brite finishing.
- IPx4 water protection.

Included Accessories

- 1 of Grid kit for EVO700 ovens - Aus PNC 206282

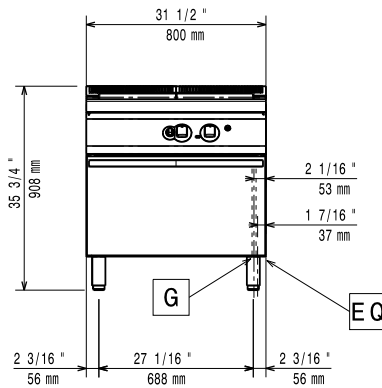
Optional Accessories

- GN2/1 chrome grid for static oven (only for 372218) PNC 164250
- Junction sealing kit PNC 206086
- Draught diverter, 150 mm diameter PNC 206132
- Matching ring for flue condenser, 150 mm diameter PNC 206133
- 4 wheels, 2 swivelling with brake (EVO700/900). It is mandatory to install with base supports for feet/wheels. PNC 206135
- Flanged feet kit PNC 206136
- Frontal kicking strip for concrete installation, 800 mm (only for 372217) PNC 206148
- Frontal kicking strip for concrete installation, 1000 mm (only for 372217) PNC 206150
- Frontal kicking strip for concrete installation, 1200 mm PNC 206151

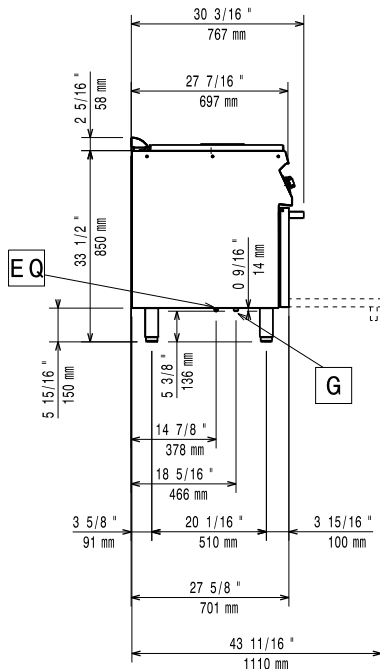
APPROVAL: _____

| | | | | | |
|--|------------|--------------------------|---|------------|--------------------------|
| • Frontal kicking strip for concrete installation, 1600 mm | PNC 206152 | <input type="checkbox"/> | • Rear paneling - 1000mm (EVO700/900) (only for 372217) | PNC 206375 | <input type="checkbox"/> |
| • Frontal handrail 800 mm (only for 372217) | PNC 206167 | <input type="checkbox"/> | • Rear paneling - 1200mm (EVO700/900) | PNC 206376 | <input type="checkbox"/> |
| • Frontal kicking strip, 800 mm (only for 372217) | PNC 206176 | <input type="checkbox"/> | • Chimney grid net, 400mm (only for 372217) | PNC 206400 | <input type="checkbox"/> |
| • Frontal kicking strip, 1000 mm (only for 372217) | PNC 206177 | <input type="checkbox"/> | • Chimney grid net, 500mm (only for 372218) | PNC 206402 | <input type="checkbox"/> |
| • Frontal kicking strip, 1200 mm | PNC 206178 | <input type="checkbox"/> | • Pressure regulator for gas units | PNC 927225 | <input type="checkbox"/> |
| • Frontal kicking strip, 1600 mm | PNC 206179 | <input type="checkbox"/> | | | |
| • Large handrail (portioning shelf) 800 mm (only for 372217) | PNC 206186 | <input type="checkbox"/> | | | |
| • Frontal handrail 1200 mm | PNC 206191 | <input type="checkbox"/> | | | |
| • Frontal handrail 1600 mm | PNC 206192 | <input type="checkbox"/> | | | |
| • 4 feet for concrete installation (not for 900 line freestanding grill) | PNC 206210 | <input type="checkbox"/> | | | |
| • Right and left side handrails | PNC 206240 | <input type="checkbox"/> | | | |
| • 2 supports with side runners for 4 GN 1/1 containers for open base cupboards (multifunctional cookers, solid top and gas ranges with cupboard) (only for 372218) | PNC 206244 | <input type="checkbox"/> | | | |
| • Flue condenser for 1 module, 150 mm diameter | PNC 206246 | <input type="checkbox"/> | | | |
| • Pair of side kicking strips | PNC 206249 | <input type="checkbox"/> | | | |
| • Electric heating kit for cupboards (only for 372218) | PNC 206259 | <input type="checkbox"/> | | | |
| • Single burner smooth plate for direct cooking - fits frontal burners only (only for 372218) | PNC 206260 | <input type="checkbox"/> | | | |
| • Single burner ribbed plate for direct cooking- fits frontal burners only (only for 372218) | PNC 206261 | <input type="checkbox"/> | | | |
| • Single burner radiant plate for pan support (only for 372218) | PNC 206264 | <input type="checkbox"/> | | | |
| • Pair of side kicking strips (concrete installation) | PNC 206265 | <input type="checkbox"/> | | | |
| • Grid kit for EVO700 ovens - Aus | PNC 206282 | <input type="checkbox"/> | | | |
| • Water column with swivel arm (water column extension not included) | PNC 206289 | <input type="checkbox"/> | | | |
| • Water column extension | PNC 206291 | <input type="checkbox"/> | | | |
| • Stainless steel grid for 2 burners (only for 372218) | PNC 206297 | <input type="checkbox"/> | | | |
| • Chimney upstand, 800 mm (only for 372217) | PNC 206304 | <input type="checkbox"/> | | | |
| • Chimney upstand, 1200 mm (only for 372218) | PNC 206306 | <input type="checkbox"/> | | | |
| • 2 side covering panels, height 700 mm, depth 700 mm | PNC 206319 | <input type="checkbox"/> | | | |
| • Door for open base cupboard (only for 372218) | PNC 206342 | <input type="checkbox"/> | | | |
| • 2 drawers for open base, height 100 mm (only for 372218) | PNC 206360 | <input type="checkbox"/> | | | |
| • Wok pan support for open burners (EVO700/900) | PNC 206363 | <input type="checkbox"/> | | | |
| • Base support for feet or wheels - 800mm (EVO700/900) (only for 372217) | PNC 206367 | <input type="checkbox"/> | | | |
| • Base support for feet or wheels - 1200mm (EVO700/EVO900) | PNC 206368 | <input type="checkbox"/> | | | |
| • Base support for feet or wheels - 1600mm (EVO700/900) | PNC 206369 | <input type="checkbox"/> | | | |
| • Rear paneling - 800mm (EVO700/900) (only for 372217) | PNC 206374 | <input type="checkbox"/> | | | |

Front

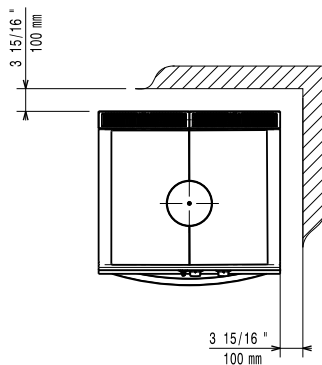


Side



EQ = Equipotential screw
G = Gas connection

Top



Gas

Natural gas - Pressure:

372217 (Z7STGH10GA) 7" w.c. (17.4 mbar)

LPG Gas Pressure:

372217 (Z7STGH10GA) 11" w.c. (27.7 mbar)

Gas Power:

372217 (Z7STGH10GA) 13 kW

372218 (Z7STGL301A) 24 kW

Gas Type Option:

LPG

Gas Inlet:

1/2"

Key Information:

If appliance is set up or next to or against temperature sensitive furniture or similar, a safety gap of approximately 150 mm should be maintained or some form of heat insulation fitted.

Oven working Temperature: 110 °C MIN; 270 °C MAX

Oven Cavity Dimensions (width): 540 mm

Oven Cavity Dimensions (height): 300 mm

Oven Cavity Dimensions (depth): 650 mm

Net weight:

372217 (Z7STGH10GA) 95 kg

372218 (Z7STGL301A) 140 kg

Shipping weight:

372217 (Z7STGH10GA) 118 kg

372218 (Z7STGL301A) 160 kg

Shipping height:

1140 mm

Shipping width:

372217 (Z7STGH10GA) 900 mm

372218 (Z7STGL301A) 1300 mm

Shipping depth:

820 mm

Shipping volume:

372217 (Z7STGH10GA) 0.84 m³

372218 (Z7STGL301A) 1.22 m³

[NOT TRANSLATED]

N7TG

Solid top usable surface (width): 690 mm

Solid top usable surface (depth): 595 mm